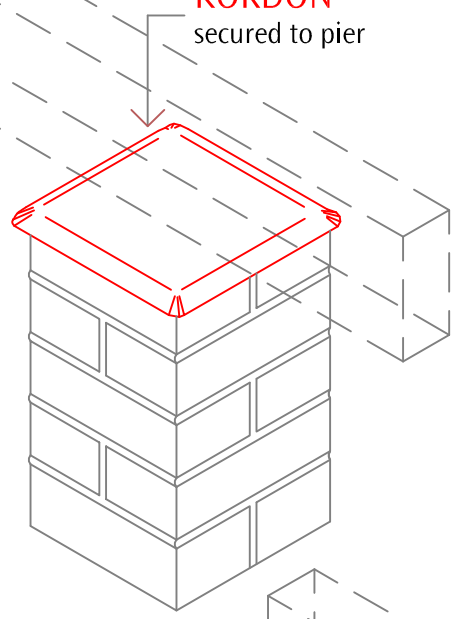


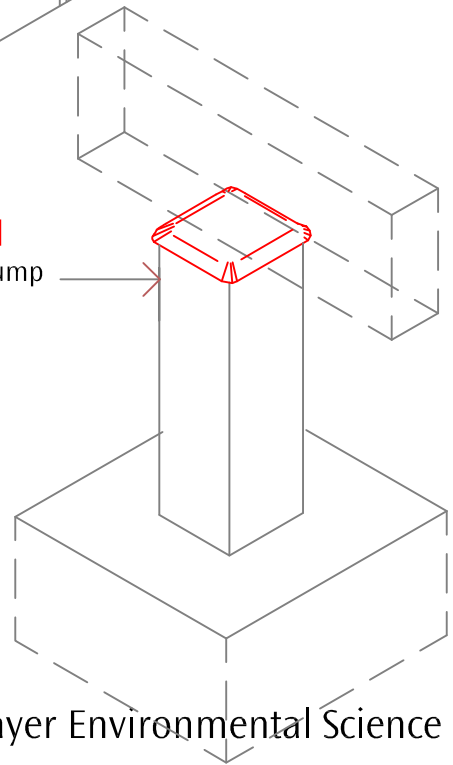
KORDON
as per perimeter details

KORDON
secured to engaged
piers

KORDON
secured to pier




KORDON
concrete stump



Note:
On all piers and stumps, Kordon meets ant cap and moisture membrane requirements.
Conventional ant caps can be placed on top of Kordon.

 **KORDON TERMITE BARRIER**

 Bayer Environmental Science

Subject

bearers & joist

Sheet No.

kd 051/b


CODEMARK™
GM-07-CM30001